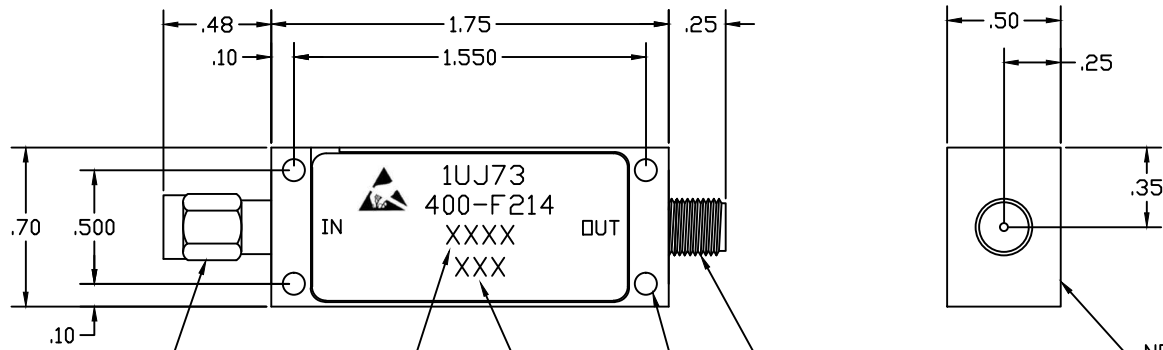


REVISIONS				
ZONE	SYM	DESCRIPTION	DATE	APPROVED
	-	INITIAL RELEASE	7-18-17	MRG



SMA MALE CONNECTOR

DATE CODE

SERIAL NUMBER

.096 DIA THRU  
4 PLACES

SMA FEMALE CONNECTOR

NO PAINT THIS SURFACE

SPECIFICATIONS

FREQUENCY RANGE:	12.4-18 GHz
PEAK POWER:	.75 kW
AVERAGE POWER:	45 WATTS
SPIKE LEAKAGE:	20 dBm MAX
FLAT LEAKAGE:	17 dBm MAX
INSERTION LOSS:	1.8 dB MAX
VSWR :	2:1 MAX
RECOVERY TIME::	3 MICROSEC MAX
PULSE WIDTH:	10 MICROSEC MAX

**CAUTION**  
STATIC SENSITIVE MATERIAL  
ALL HANDLING/INSPECTION TO BE PERFORMED  
ONLY AT APPROVED WORK STATIONS

NOTES:

- FINISH: WASH PRIMER PER DOD-P-15328D  
PRIMER PER MIL-P-23377D  
PAINT PER MIL-C-22750  
COLOR :BLUE
- MARKING: BLACK EPOXY INK .06 HIGH CHARACTERS EXCEPT  
SERIAL NUMBER AND DATE CODE .08 HIGH  
PER MIL-STD- 130

THESE DRAWINGS AND SPECIFICATIONS ARE THE PROPERTY OF RH LABS AND SHALL NOT BE REPRODUCED OR COPIED OR USED IN PART AS THE BASIS FOR THE MANUFACTURE OR SALE OF ITEMS WITHOUT WRITTEN PERMISSION					
UNLESS OTHERWISE SPECIFIED DIMENSIONS ARE IN INCHES TOLERANCES ON FINISH RMS63 ANGLES:1/2° FRACTIONS:1/64 3 PLACE DECIMALS: ±.010 2 PLACE DECIMALS: ±.02 1 PLACE DECIMALS: ±.1 FILLETS: .005R MAX REMOVE BURRS AND SHARP EDGES TO .005 MAX. R DR CHAMFER	DRAFT CHKD PRDD ENGR QA	MRG MRG	DATE 7-18-17 7-18-17	TITLE OUTLINE LIMITER 12-18 GHz	DWG NO 400-F214
	SIZE B	CAGE CODE 1UJ73		SCALE 2X	SHEET 1 OF 1